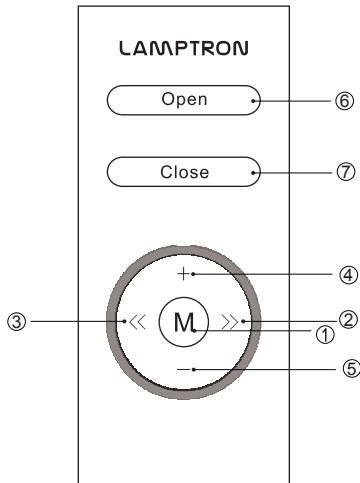


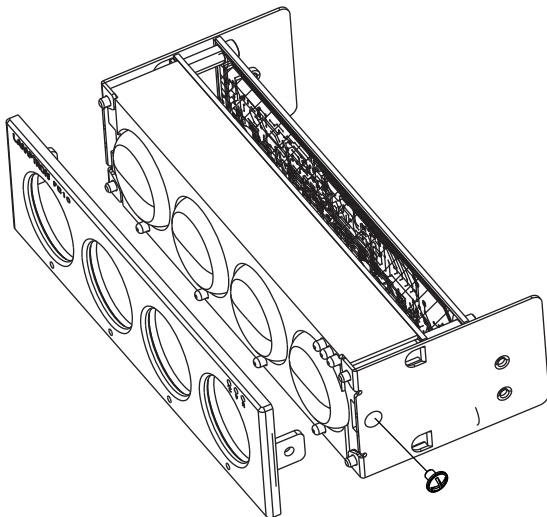
REMOTE CONTROL



- ① Press "M" button once, to set the display mode; of which the four glowing digital tubes will show the temperature, voltage or RPM, RPM,.
- ② Press once " «" button, to come back to the previous channel
- ③ press once " »" button, will advanced onto the next channel..
- ④ Pressing "+" button, will increase the voltage from the selected channel. Each depress will increase the output by a factor of one (1). If the same key is held down the voltage will increase by the same amount for each second the aforementioned button is held down.
- ⑤ Pressing "-" button , the output voltage from the selected channel will lower by 1Volt on every press of the key. Holding down the "-" key will have a similar effect as step four.
- ⑥ The "Open" button will turn on the display of the LED and selected glowing digital tube
- ⑦ Pressing the "Close" button will turn off the selected glowing digital tube.

SWITCH PANEL

As the Diagram below clearly demonstrates that in order to change the front panel, then two screws must be removed in order to change the aforementioned. The same procedure in reverse needs to be under taken in order to install a different panel.



WARNING:

The device must have all three 'Molex' connectors installed in order to promote safe operation of this product

It is recommended that the consumer uses a 600w or high power supply in order to insure proper functionality and safety.